

QUICK

MOUNTING ANCHOR MA 15,0 G



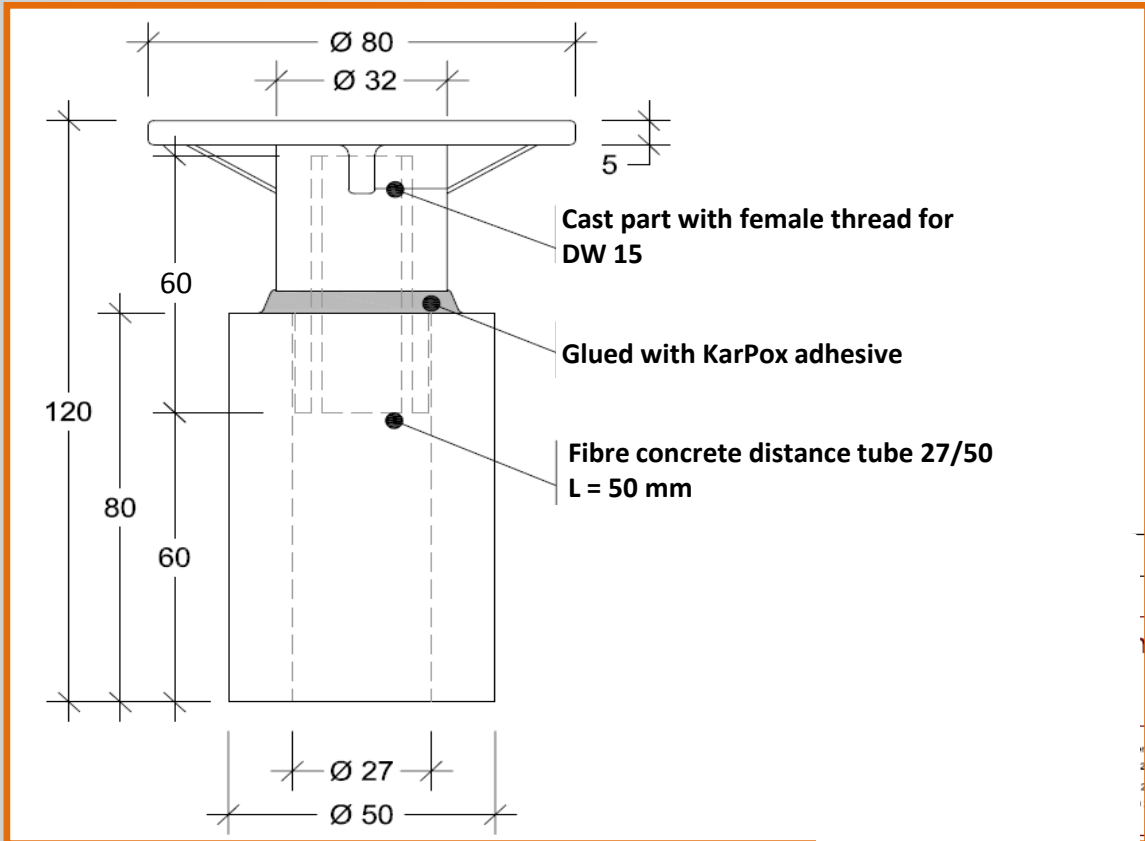
NEW!!

With general
building approval

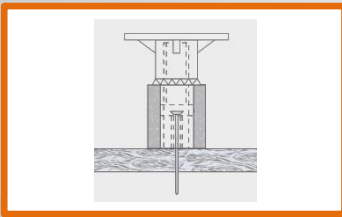
Deutsches
Institut
für
Bautechnik

DIBt

THE **NON PLUS ULTRA** IN TERMS OF BREAKING
LOAD AND SECURITY IN **BRIDGE**
CONSTRUCTION AND RENOVATION!

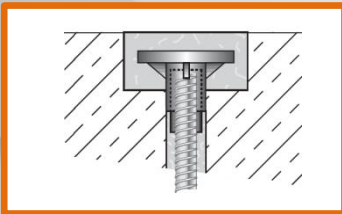


EASY, FAST AND SAFE FOR:



NEW CONSTRUCTION

Fixing the anchor on the formwork by using the nail plug before the concreting.



RENOVATION

Involving the anchor in the drill hole and fix it with glue or concrete.

Item No.	Type	H	b mm	c	packing unit	weight kg / pc
14674	Mounting anchor MA 15,0 G	120	50	80	50 pcs	0,55
14675	Mounting anchor MA 15,0 cast part only	60	50	80	90 pcs	0,40
14676	Nail plug				75 pcs	0,05