

# QUICK "OBI"

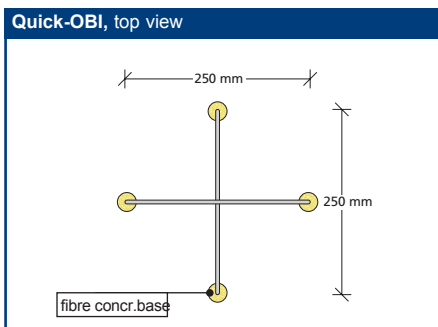
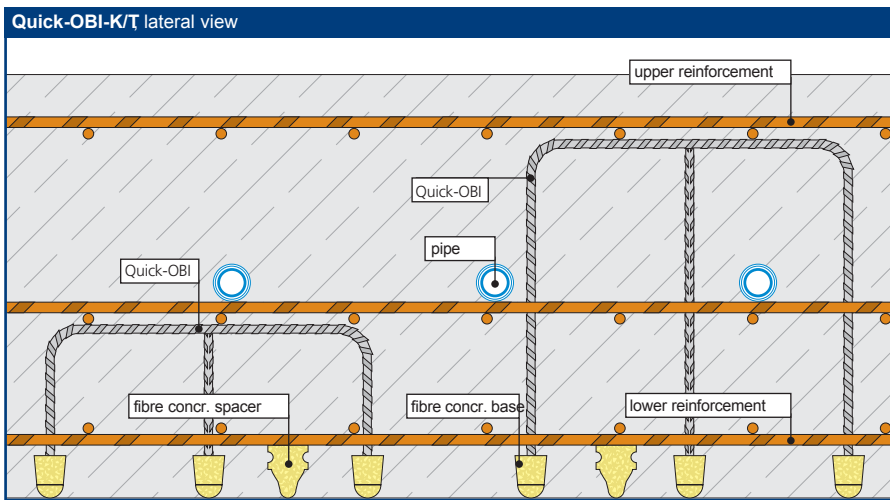
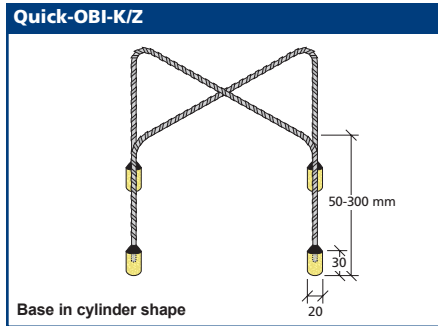
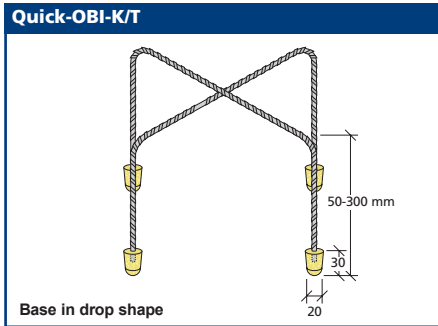
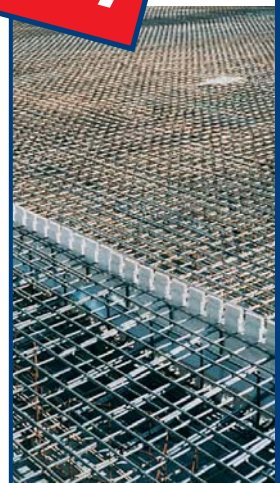
## FOR CONCRETE CORE ACTIVATION SLABS

**NEW!**

Quick "OBI" area spacer – steel bracket BSSt 500 with fibre concrete bases to ensure the concrete cover of the upper reinforcement layer and to bear the supporting steel mesh for the pipes of the concrete core activation.

### Non-porous fibre concrete bases

- avoid rust stains
- avoid smudges on the concrete surface which happens with plastic bases caused by electrostatic charging



**QUICK Bauprodukte GmbH**

D-58239 Schwerte (NRW)  
Westendamm 3

Fon: 0 23 04-981 43 0  
Fax: 0 23 04-981 43 23

info@quick-bauprodukte.de  
www.quick-bauprodukte.de

**QUICK**  
Betonbau leicht gemacht!